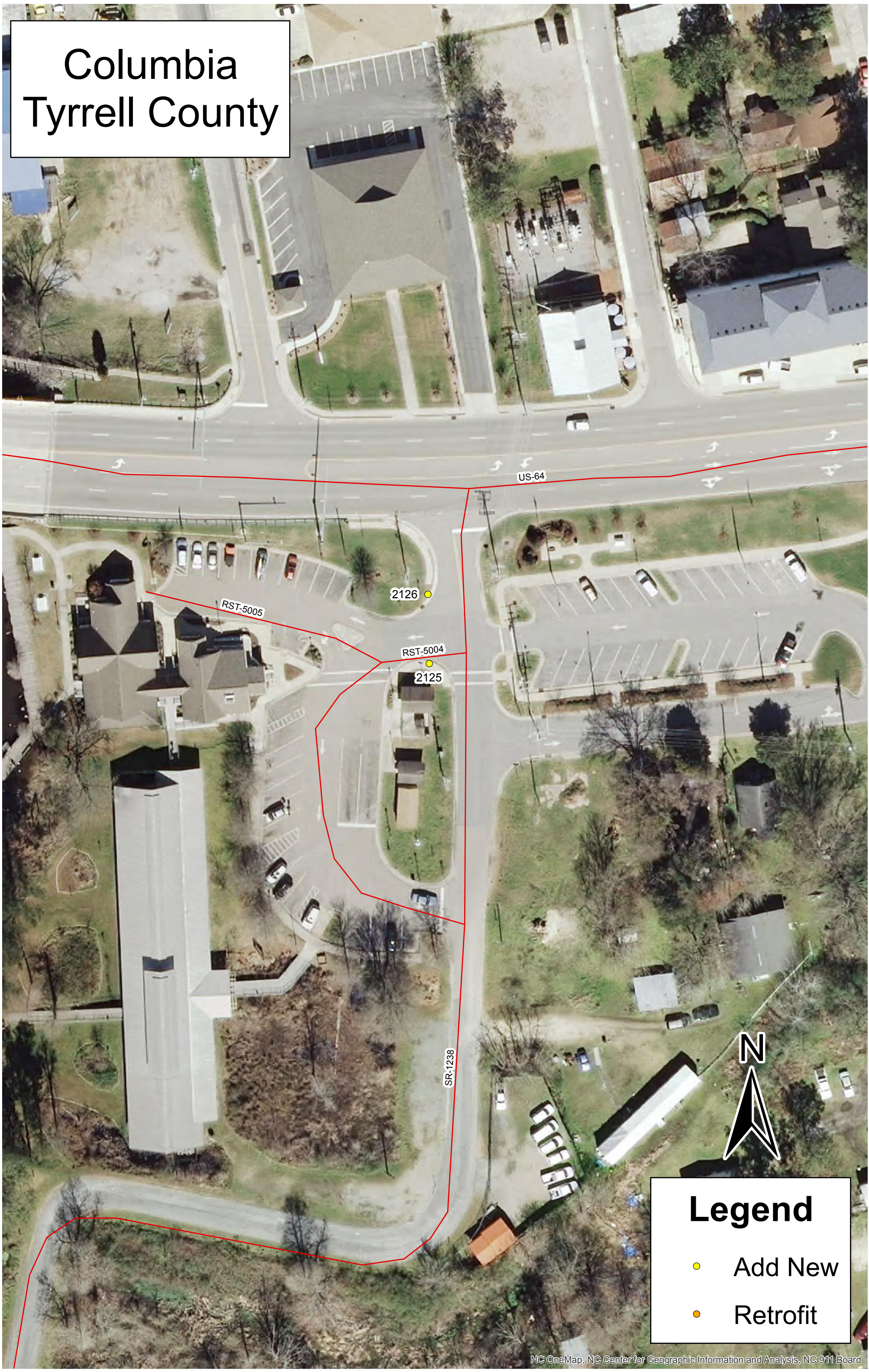


Columbia Tyrrell County



Legend

- Add New
- Retrofit

Creswell Washington County



Legend

- Add New
- Retrofit

Everetts Martin County



Legend

- Add New
- Retrofit

Hamilton Martin County



Legend

- Add New
- Retrofit

Jamesville Martin County



Legend

- Add New
- Retrofit

Plymouth Washington County



Legend

- Add New
- Retrofit

Roper Washington County



Legend

- Add New
- Retrofit

Williamston Martin County



Legend

- Add New
- Retrofit

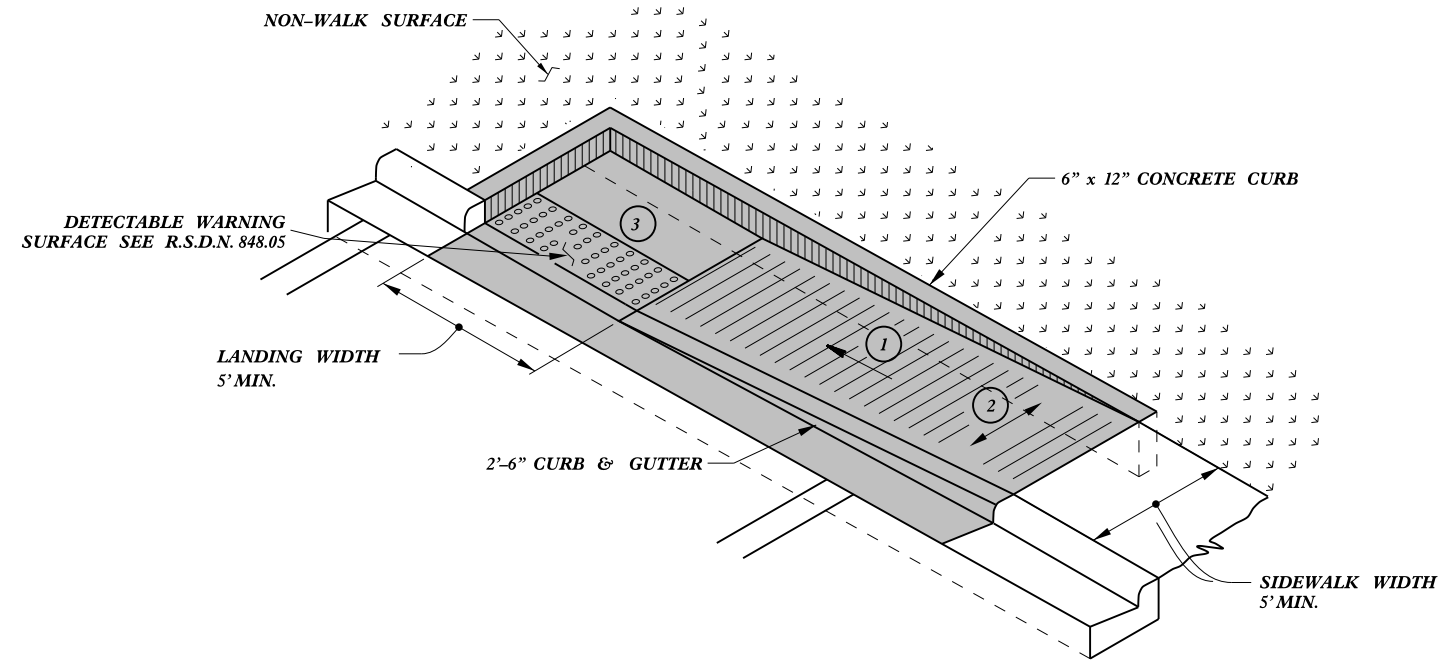


Division	County	Municipality	Under 5k Population? (Y/N)	Major Route	Minor Route	Number of New Ramps	New Ramp ID	Number of Retrofit Ramps	Retrofit Ramp ID
1	MARTIN	EVERETTS	Y	US-64	SR-1138	1	2445	N/A	
1	MARTIN	EVERETTS	Y		SR-1138 @ GOOD NEWS CHURCH	1	2446	N/A	
1	MARTIN	EVERETTS	Y		SR-1138 @ POST OFFICE	1	2444	N/A	
1	MARTIN	EVERETTS	Y		SR-1138 @ PARKING LOT	2	2440, 2441	N/A	
1	MARTIN	EVERETTS	Y		SR-1138 @ START/END SIDEWALK	1	2442	1	2443
1	MARTIN	HAMILTON	Y	NC-125	TOWN HALL	1	2369	1	3467
1	MARTIN	HAMILTON	Y	NC-125	BANK	N/A		2	2357, 2358
1	MARTIN	HAMILTON	Y	NC-125 & NC-903		N/A		3	2359, 2360, 2361
1	MARTIN	HAMILTON	Y	NC-903	START SIDEWALK (ACROSS FROM SALISBURY ST)	1	2368	N/A	
1	MARTIN	HAMILTON	Y	NC-903	SALISBURY ST	N/A		1	2364
1	MARTIN	HAMILTON	Y	NC-903	LONG ST	N/A		2	2365, 2366
1	MARTIN	HAMILTON	Y	NC-903	BAPTIST CHURCH	N/A		1	2367
1	MARTIN	JAMESVILLE	Y	US-64 BUS & NC-171		2	2335, 2336	1	2334
1	MARTIN	JAMESVILLE	Y	NC-171	FIREHOUSE	2	2337, 2338	N/A	
1	MARTIN	JAMESVILLE	Y	NC-171	START/END SIDEWALK	1	2347	N/A	
1	MARTIN	WILLIAMSTON	N	US-17 BUS	HARRELL ST	1	2600	2	2598, 2599
1	MARTIN	WILLIAMSTON	N	US-17 BUS	WATTS ST	1	2594	4	2591, 2592, 2593, 2595
1	MARTIN	WILLIAMSTON	N	US 17 BUS S & US-17 BUS N		2	2542, 2544	1	2543
1	MARTIN	WILLIAMSTON	N	US-17 BUS N	FOUNTAIN ST	2	2580, 2581	N/A	
1	MARTIN	WILLIAMSTON	N	US-17 BUS N	RAILROAD ST	3	2576, 2577, 2579	1	2578
1	MARTIN	WILLIAMSTON	N	US-17 BUS	SR-1446	1	2562	1	2551
1	TYRRELL	COLUMBIA	Y		SR-1238 & REST AREA	2	2125, 2126	N/A	
1	WASHINGTON	CRESWELL	Y		SR-1142 & 5TH ST	1	2046	1	2045
1	WASHINGTON	CRESWELL	Y		SR-1142 & 7TH ST	1	2043	N/A	
1	WASHINGTON	ROPER	Y		SR-1122 START/ END SIDEWALK	2	2316, 3343	N/A	
1	WASHINGTON	ROPER	Y		SR-1122 START/ END SIDEWALK	1	2317	N/A	
1	WASHINGTON	ROPER	Y		SR-1122 & PLUME ST	2	2318, 2319	1	2320
1	WASHINGTON	ROPER	Y		SR-1122 & NEWBY ST	1	2322	1	2321
1	WASHINGTON	ROPER	Y		SR-1122 & SR-1175	1	2323	1	2324
1	WASHINGTON	ROPER	Y		SR-1122 & WILKINS LN	1	2326	1	2325
1	WASHINGTON	ROPER	Y		SR-1122 & BANK ST	2	2329, 2330	N/A	
1	WASHINGTON	ROPER	Y		SR-1122 & BLOUNT ST	2	2331, 2332	N/A	
1	WASHINGTON	ROPER	Y		SR-1122 & FUNERAL HOME	1	2333	N/A	
1	WASHINGTON	ROPER	Y		SR-1125 & SCHOOL	1	2314	3	2312, 2313, 2315
1	WASHINGTON	PLYMOUTH	Y		SR-1336 @ LIFE OF CHRIST	2	2259, 2260	N/A	
1	WASHINGTON	PLYMOUTH	Y		SR-1336 & MONROE ST	2	2257, 2258	2	2255, 2256
1	WASHINGTON	PLYMOUTH	Y		SR-1357 & WATER ST	2	3344, 3345	4	2278, 2279, 3346, 3347

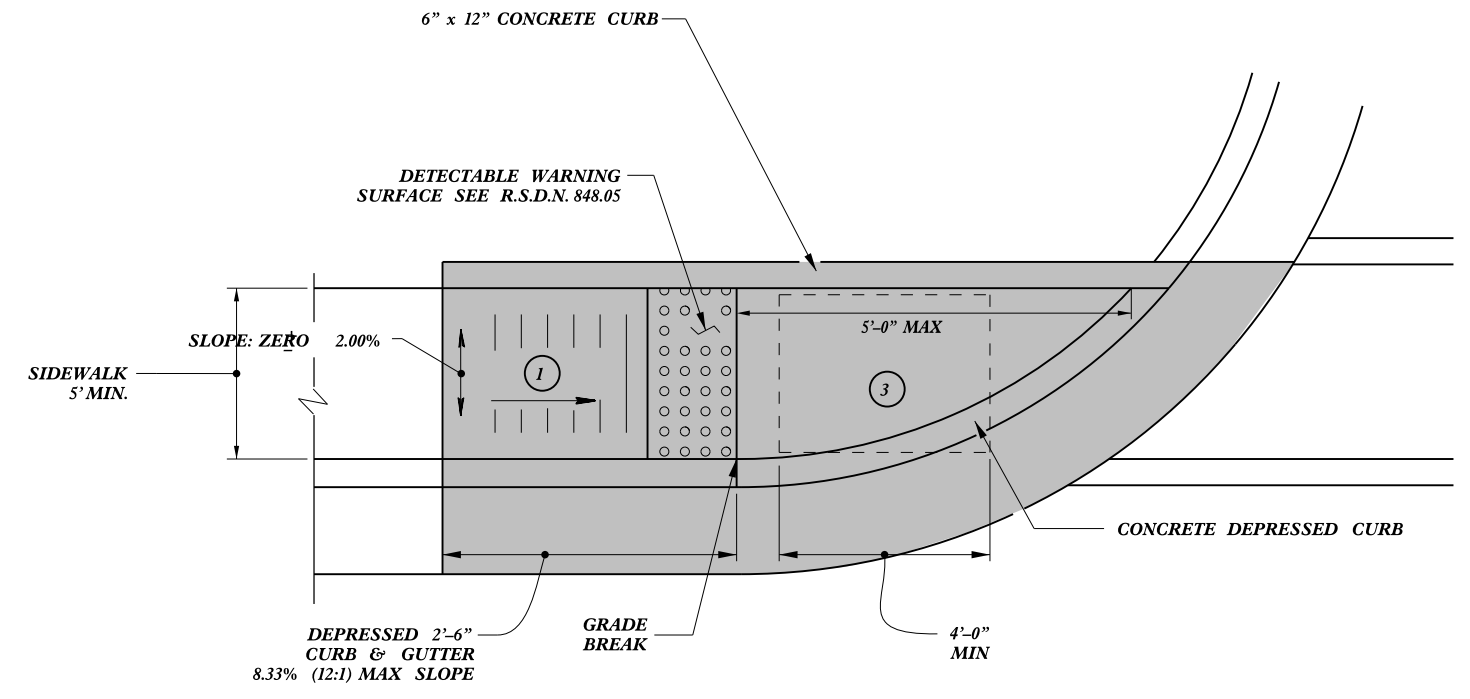
PROJECT NO.	SHEET NO.	TOTAL NO.
44911.3.3, ETC.		

SUMMARY OF QUANTITIES

PROJECT	COUNTY	DESCRIPTION	MOBILIZATION	AC PLANT MIX (REPAIR)	2'-6" CURB & GUTTER	4" CONCRETE SIDEWALK	CONCRETE CURB RAMPS	RETROFIT EXISTING CURB RAMPS	TEMPORARY TRAFFIC CONTROL
NO			LS	TONS	LF	SY	EA	EA	LS
44911.3.7	Martin, Washington & Tyrrell	Curb Ramp Installation and Retrofits	1	12	200	100	37	26	1
44911.3.3	Martin	Curb Ramp Installation and Retrofits	*	3	30	20	10	9	*
GRAND TOTAL			1	15	230	120	47	35	1



TYPE 1A



TYPE 1

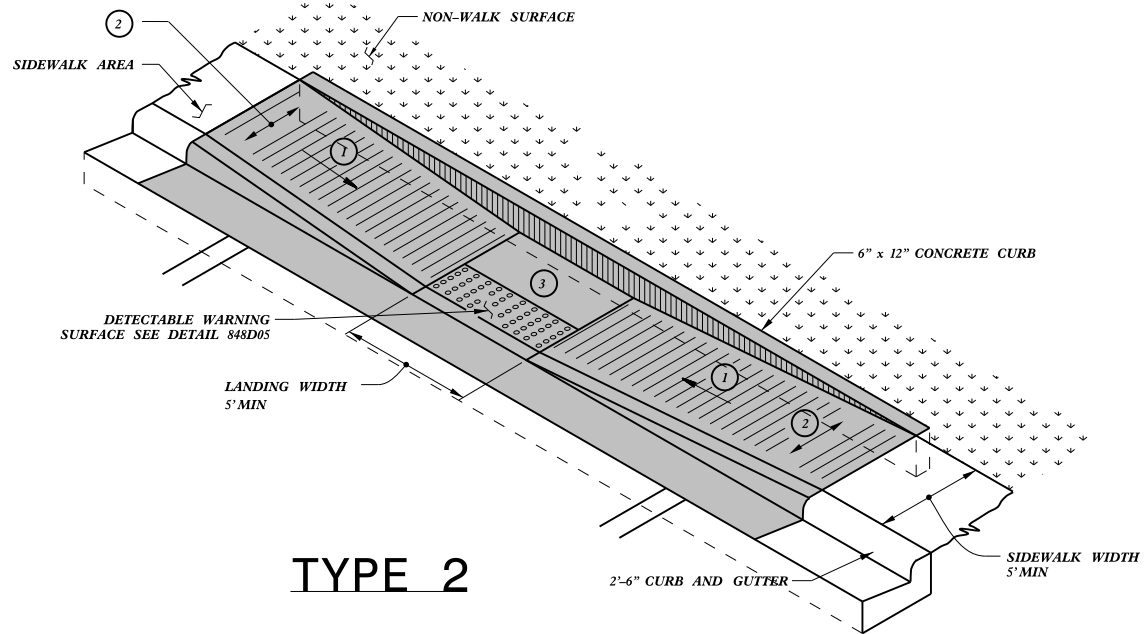
- ① 8.33% (12:1) MAX RAMP SLOPE
- ② CROSS SLOPE: 2.00%
- ③ CURB RAMPS REQUIRE A (4'-0") MINIMUM LANDING WITH A MAXIMUM CROSS SLOPE AND LONGITUDINAL SLOPE OF 2.00% WHERE PEDESTRIANS PERFORM TURNING MANEUVERS. SLOPE TO DRAIN TO CURB.

PAY LIMITS FOR CURB RAMP

CONTRACT STANDARDS AND DEVELOPMENT UNIT	
Office 919-707-6950	FAX 919-250-4119
CURB RAMPS	
Directional Ramps	
ORIGINAL BY: J.S. HOWERTON	DATE: 7/7/11
MODIFIED BY:	DATE:
CHECKED BY:	DATE:
FILE SPEC: sstds/2012CurbRamp/CurbRampDetails.dwg	

REFER TO ROADWAY STANDARD DRAWING NUMBER 848.05 SHEET 3 OF 3 FOR ALL RAMP NOTES

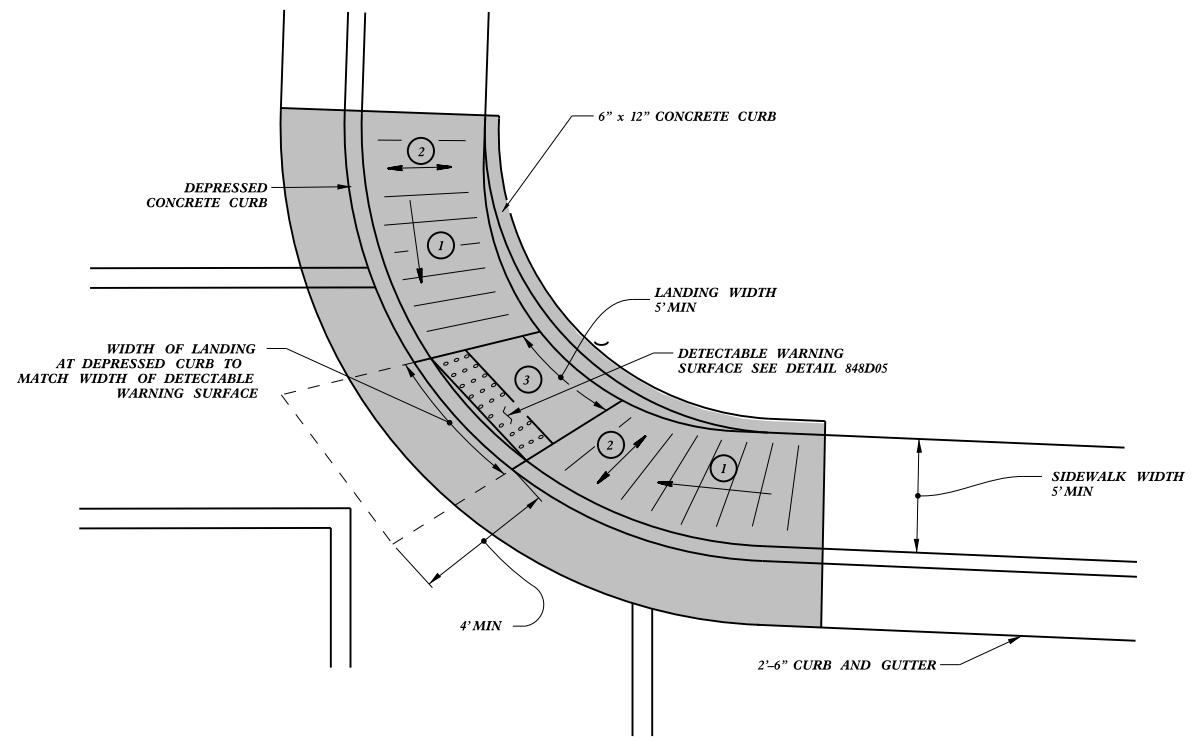
23-MAR-2012 15:05 J:\Projects\2012\Standard Drawings\2012 Standard Drawings\Curb Ramp Special Details\Curb Ramp Details.dwg J.Howerton AT 15023750



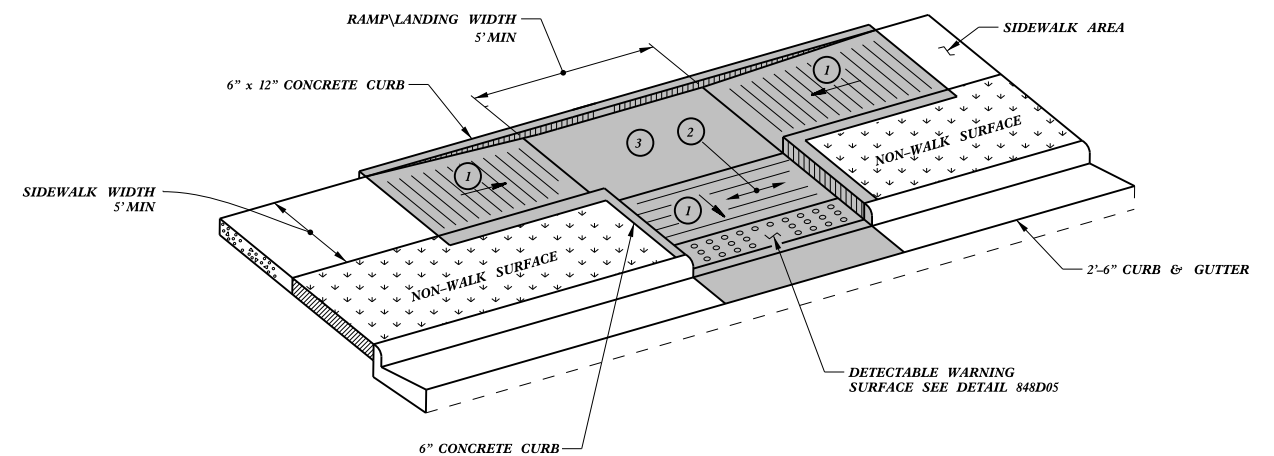
TYPE 2

PAY LIMITS FOR CURB RAMP

- ① 8.33% (12:1) MAX RAMP SLOPE
- ② CROSS SLOPE: 2.00%
- ③ CURB RAMPS REQUIRE A (4'-0") MINIMUM LANDING WITH A MAXIMUM CROSS SLOPE AND LONGITUDINAL SLOPE OF 2.00% WHERE PEDESTRIANS PERFORM TURNING MANEUVERS. SLOPE TO DRAIN TO CURB.



TYPE 2A



TYPE 3

CONTRACT STANDARDS AND DEVELOPMENT UNIT	
Office 919-707-6950	FAX 919-250-4119
CURB RAMPS	
Parallel Ramps	
ORIGINAL BY: J.S. HOWERTON	DATE: 7/7/11
MODIFIED BY:	DATE:
CHECKED BY:	DATE:
FILE SPEC: sstds/2012CurbRamp/CurbRampDetails.dwg	

REFER TO ROADWAY STANDARD DRAWING NUMBER 848.05 SHEET 3 OF 3 FOR ALL RAMP NOTES

23-MAR-2012 15:07 J:\Contracts\Special Details\Howerton\Standard Drawings\2012 Standard Drawings\Curb Ramp Details.dwg